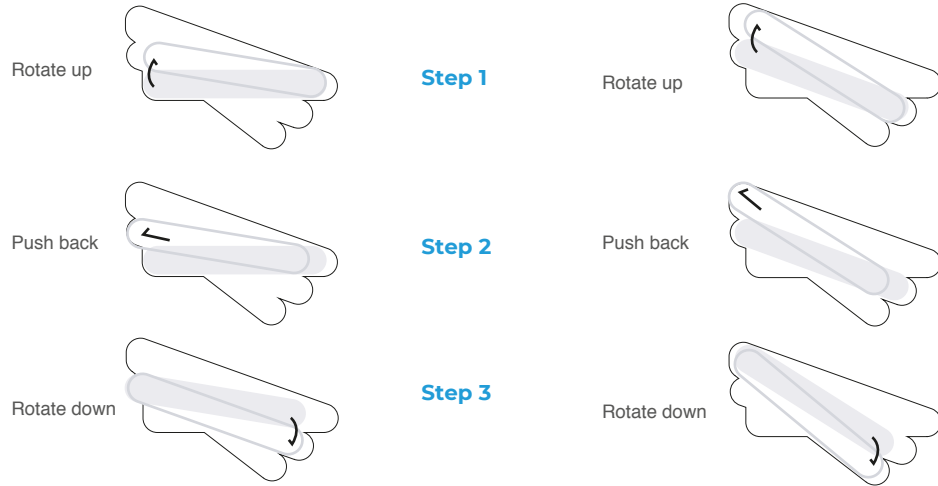


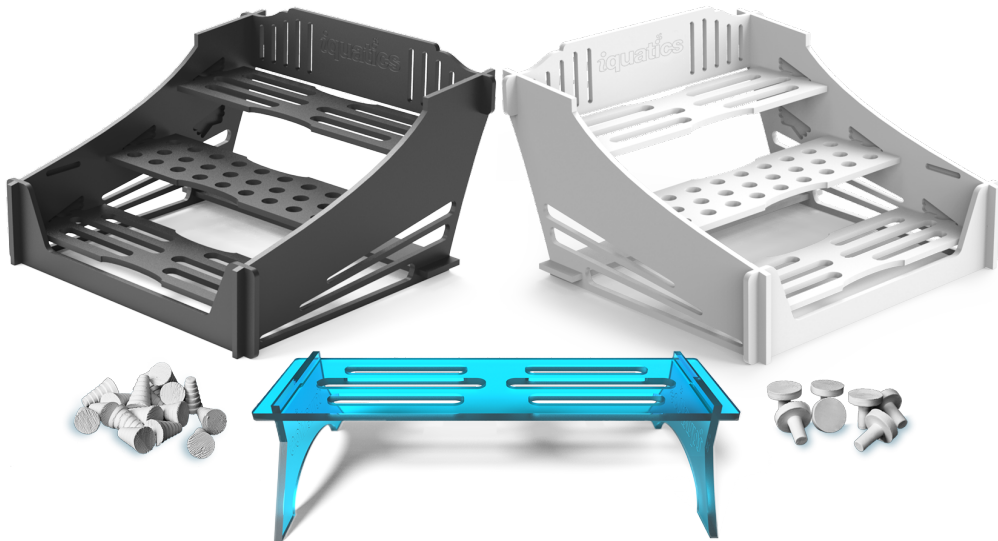
How to adjust your trays to different angles.

 Current position

 New position



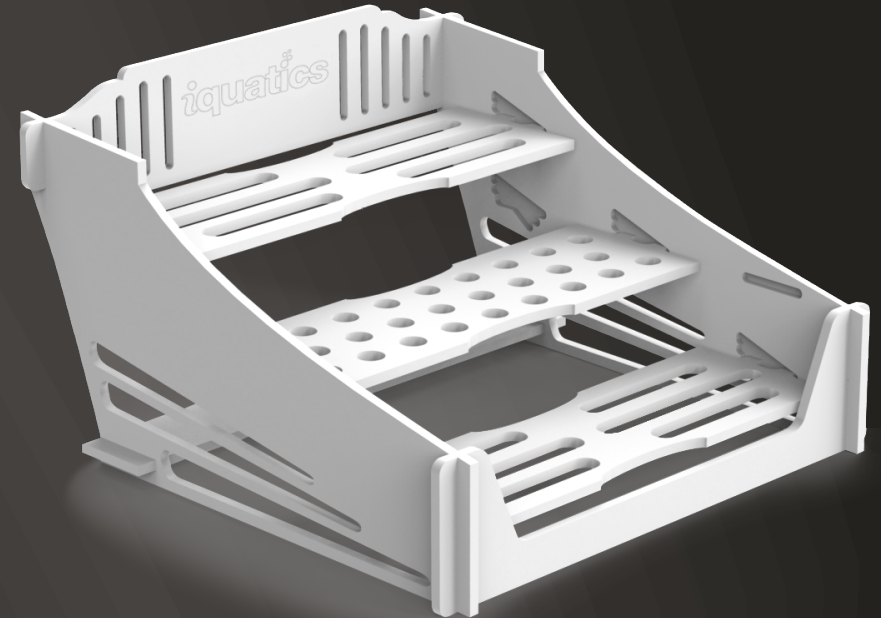
TIP When changing the position of your tray, please ensure you set the same level/angle on both sides.



*This design is registered to iQuatics Ltd.

iQuatics

THE FUTURE OF FRAG RACKS



CUSTOMER SUPPORT

 **01538 542070**

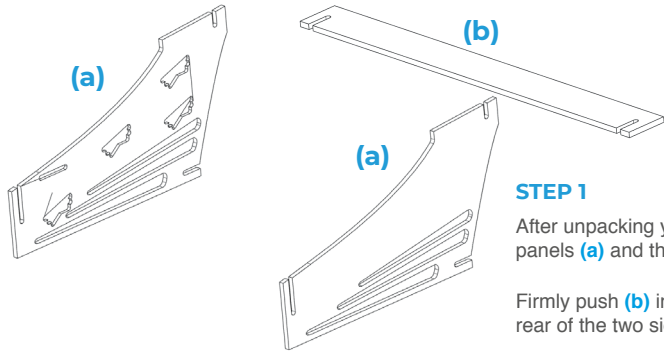
sales@iquaticsonline.co.uk

WE HOPE YOU ENJOY YOUR NEW IQUATICS FRAG RACK

COMPANY REG 06954492 | VAT REG 978518363

WWW.IQUATICS.CO.UK

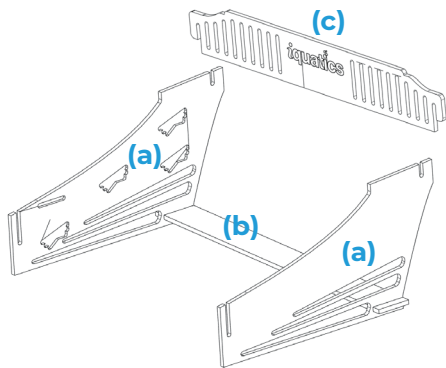
TIP Use caution when slotting sections together, the fit will be tight, this provides stability when the rack is assembled.



STEP 1

After unpacking your frag rack locate the two side panels **(a)** and the bottom rear support **(b)**.

Firmly push **(b)** into the recesses at the bottom rear of the two side panels.



STEP 2

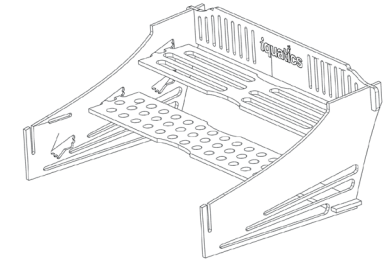
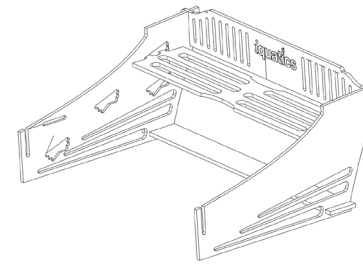
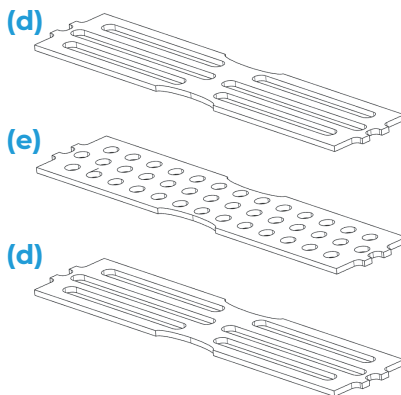
Once the rear support is in place locate the top grill **(c)** and push firmly into the recesses on the top of your side panels **(a)**.

STEP 3

Now is time to decide what configuration you would like your trays to be set it.

Your rack comes with 2 x grill trays **(d)** and 1 x hole tray **(e)** as standard

Trays are available individually from the iQuatics website.



STEP 4

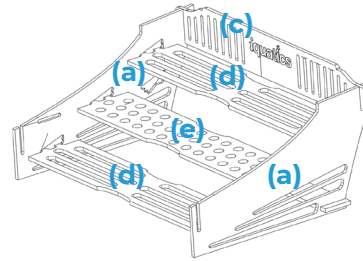
Insert your trays in your preferred configuration.

The iQuatics frag rack is unlike any other frag rack in that you decide what goes where!

Insert the tabs on the edge of the trays **(d&e)** into the recesses in your side panels **(a)**

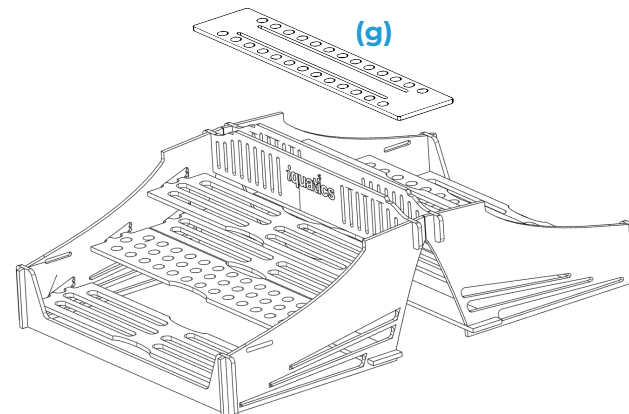
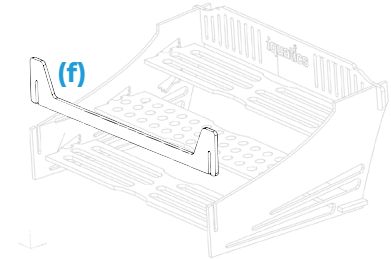
The recesses have 3 different positions that your racks can be set to.

You can set your racks to be tiered or to sit flat.



STEP 5

When all of the trays are in your preferred positions, add the front support **(f)** to the recesses at the very front of your side supports.



STEP 6

The iQuatics frag rack is great to use as a frag display rack. If you intended to use the rack back to back then now we add the top joining support **(g)**

This piece is available as an extra from iQuatics and is not included as standard.